

Antenna, Whip

ERF4103

Description

The ERF4103 antenna is a multipurpose antenna that is suitable for multiple frequencies, it uses a 1m cable and U.FL connector. The magnetic base of the antenna allows for easy placement and integration. The antenna can be used for applications such as, M2M, 868/915MHz, cellular applications, WiFi, Bluetooth and many more.

Technology

- 868/915 MHz
- LTE / CAT-M
- LoRa
- NB-IoT
- ISM
- Zigbee
- 5G/4G/3G/2G
- WiFi
- Bluetooth



Antenna, Whip

ERF4103

Features

Electrical Properties	Description		
Frequency marker	Frequency band MHz	Return loss dB	V.S.W.R.
1	700	-9.1	<2.1
2	800	-18.4	<1.3
3	868	-19.3	<1.2
4	900	-15.2	<1.4
5	915	-16.7	<1.3
6	1.800	-6.3	<2.9
7	1.900	-7.2	<2.5
8	2.100	-14.2	<1.5
9	2.400	-12.4	<1.6
10	2.600	-10.1	<1.9
11	3.500	-6.3	<2.9
12	5.000	-6.6	<2.8
13	5.800	-5.3	<3.4
Nominal Impedance	50 Ω		
Polarization	Linear		
Gain	1.0 dBi		

Mechanical Properties	Description
Antenna	External Whip Antenna
Mounting	Magnetic Cone
Connector	U.FL
Dimensions	89 mm \pm 2
Color	Black

Antenna, Whip

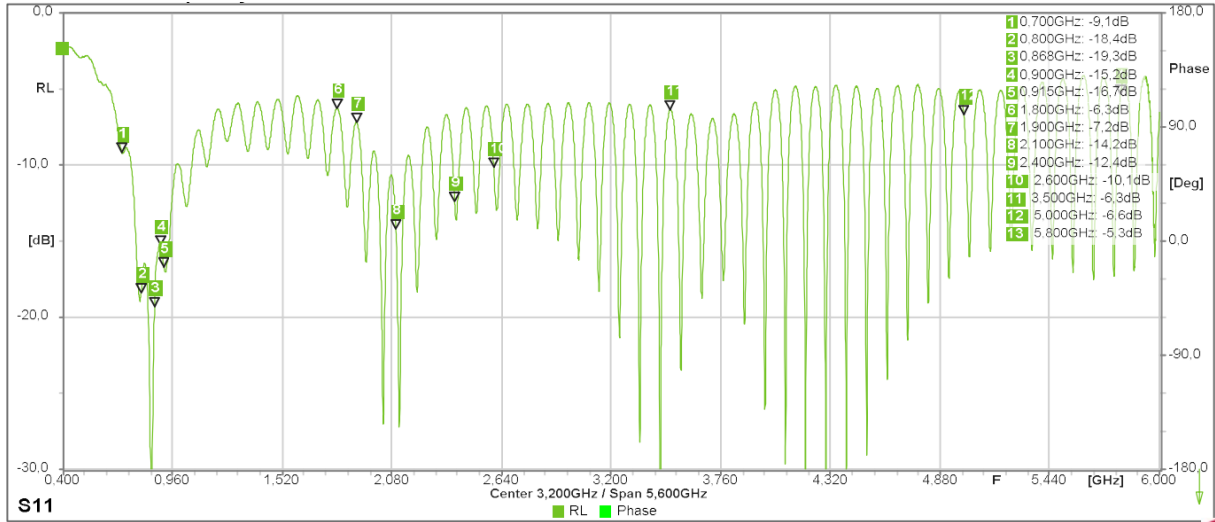
ERF4103



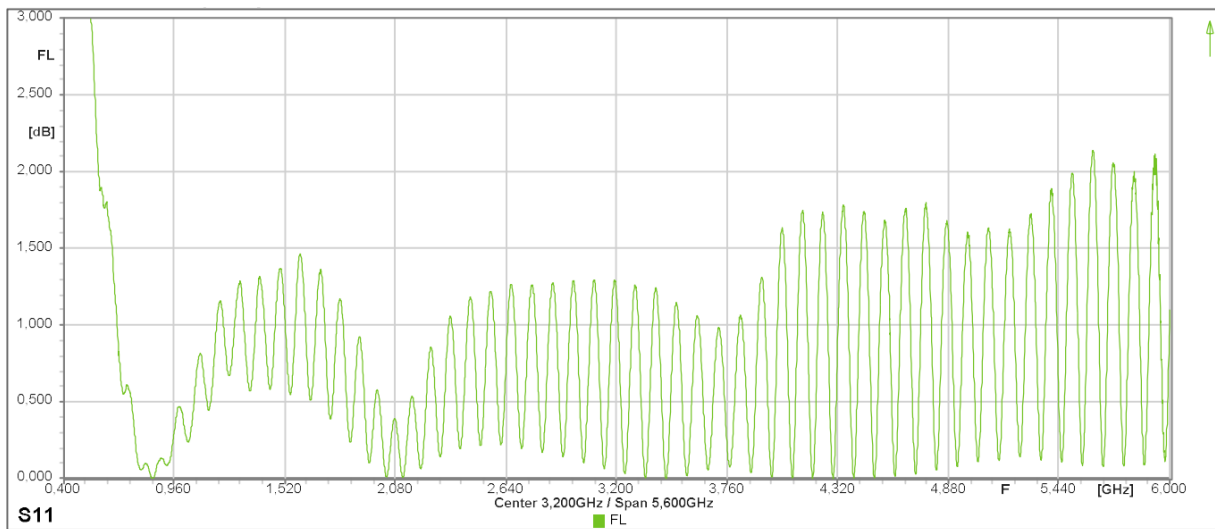
Cable type	RG178
Cable Length	100 cm ± 1
Operating Temperature	-40°C~+85°C
Storage Temperature	-40°C~+85°C

Antenna Properties

Return Loss



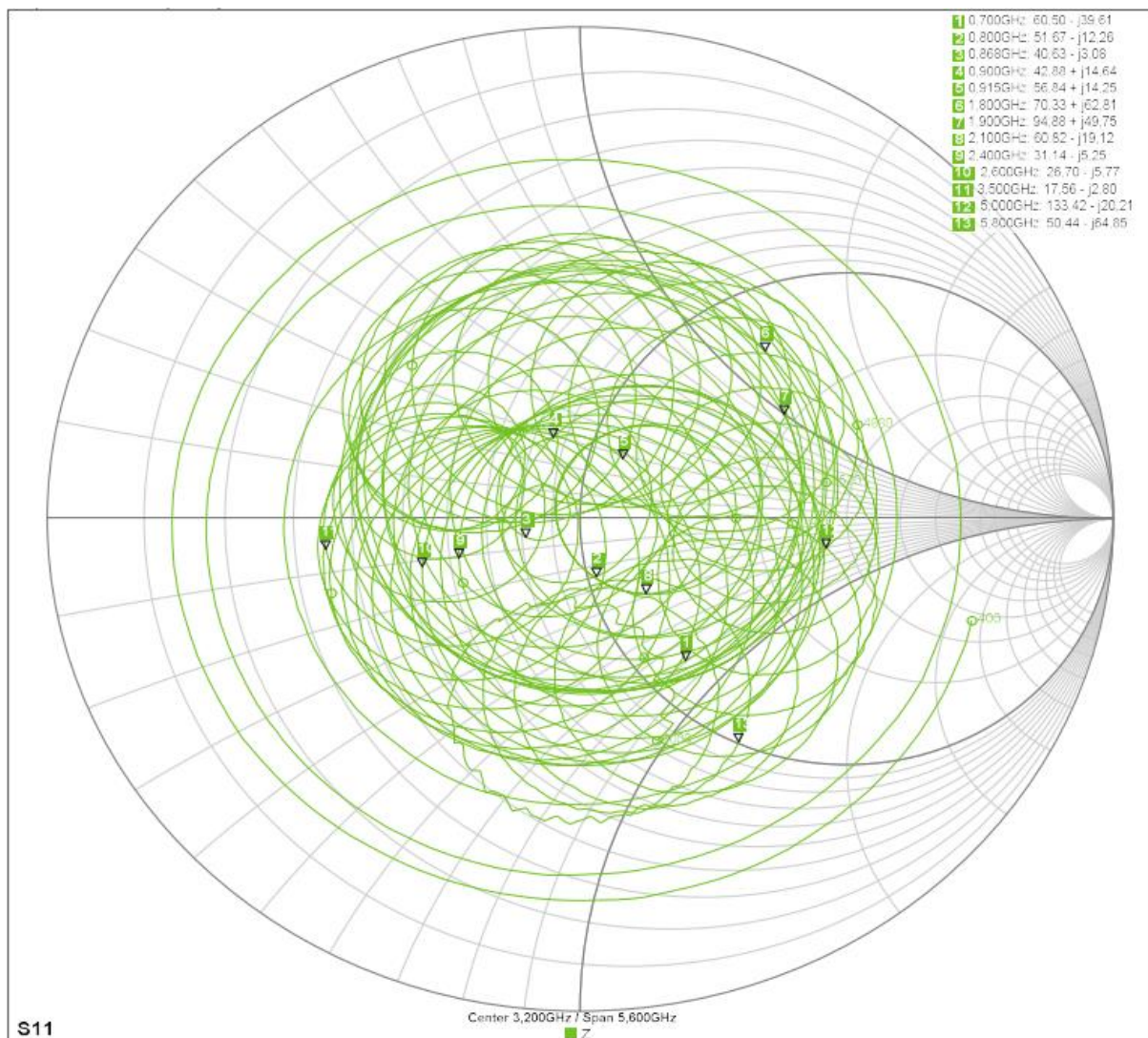
Forward Loss



Antenna, Whip

ERF4103

Impedance

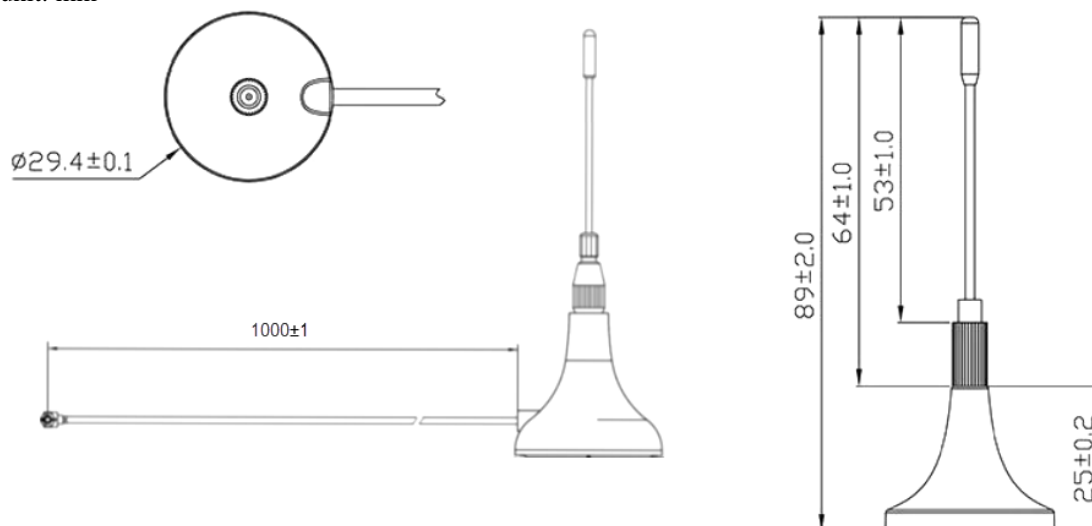


Antenna, Whip

ERF4103

Dimensions

*unit: mm



Connectors



SMA Male



SMA Female



RP-SMA Male



RP-SMA Female

The ERF4103 antenna uses an U.FL connector.

Ordering information

Ordering can be done via www.summit-electronics.com or via info@summit-electronics.com. Please contact us for more information. Customisation of the product is available on request.

Technical support

For all product questions please contact us via info@summit-electronics.com

Document revision

Rev	Date	changes
V01.00	06-04-2023	First issue of document

Antenna, Whip

ERF4103

